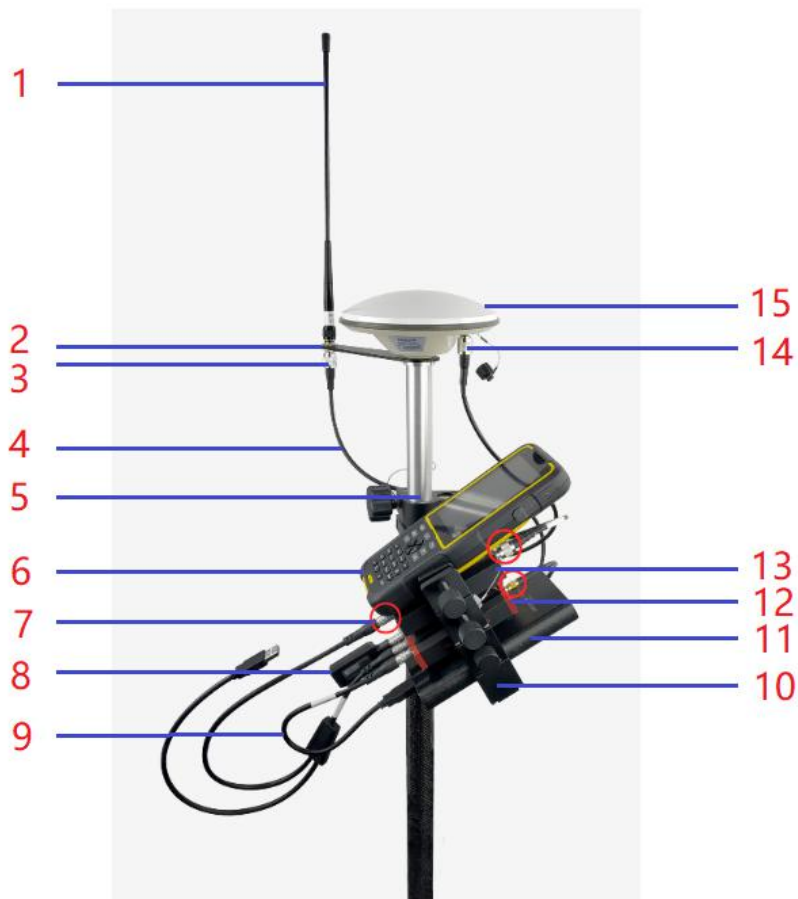


David Quick Start Guide – Rover Kit with 2W Radio

! Note: Please check the item list first to confirm that this kit is for David Rover Kit with 2W Radio.

1. David Rover Kit with 2W Radio System Structure



NO.	Device Name	NO.	Device Name
1	2W/460MHz radio antenna	9	DC-2pin to USB Power Cable
2	Bracket for 460M antenna	10	Bracket for rover
3	TNC-TNC converter	11	Power Bank (not included in the kit)
4	TNC-J to TNC-J cable 1m (radio antenna extension cable)	12	David GNSS receiver
5	Ranging pole	13	2W/460MHz radio
6	Android device TC20 (not included in the kit)	14	TNC-J to SMA cable (GNSS antenna cable)
7	COMM2-7pin to USB & 2W-Radio-5pin cable	15	AX3702 GNSS antenna
8	COMM1-Bluetooth module		

David Quick Start Video including Nuwa operation is on the official website:

<https://www.tersus-gnss.com/video/david-receiver>

2. Configure and Survey using Nuwa app

2.1 Create new project or open existed project

Launch Nuwa application, click [Project] in the main interface to create a new project or open an existed project, refer to Figure 2.1 below.

2.2 Connect David

Back to the main interface of Nuwa, click [Device] -> [Connect], select the corresponding Bluetooth address to pair David, select AX3702 for the antenna, click [Connect] to complete the device connection, refer to Figure 2.2 below.

2.3 Configure Rover

Back to the Device interface, click [Rover] to enter the Work Mode List, create a new rover, select Radio for Data Link, select 38400 for Baud Rate as shown in Figure 2.3, then click [OK] to complete rover configuration. Select this configuration in the Work Mode List, click [Start] to configure the rover.

2.4 Survey Work

Back to the main interface of Nuwa, click [Survey] to enter the survey interface. Users can do survey work including point survey, point stakeout, line stakeout and etc. as shown in Figure 2.4 below.

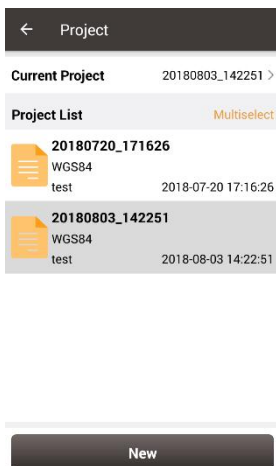


Figure 2.1 Project

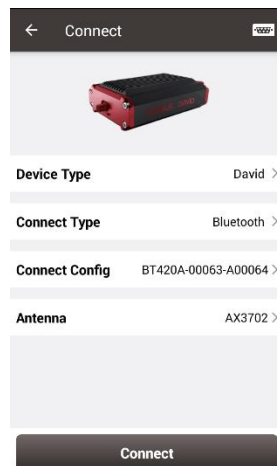


Figure 2.2 Connect David

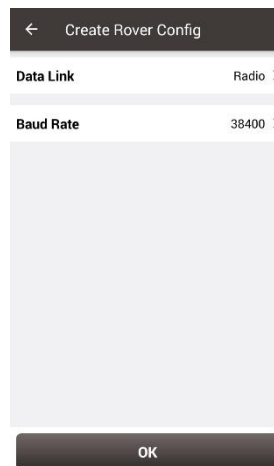


Figure 2.3 Rover config

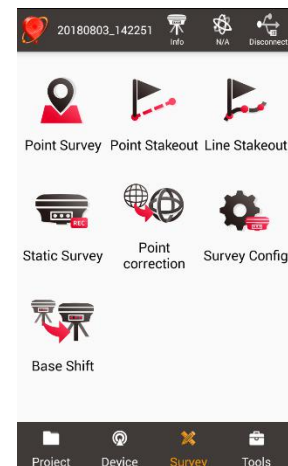


Figure 2.4 Survey work

3. Get More

This Quick Start Guide briefly introduces the installation of David Rover Kit with 2W Radio and the operation of Nuwa app. More details please refer to User Manual of David and User Manual of Nuwa app which can be downloaded from Tersus official website: <https://www.tersus-gnss.com/document/david-receiver> .

Thank you for using Tersus products. If you have any technical questions for the products, please contact support@tersus-gnss.com and we will serve you promptly.