

# AX3703

## Mini GNSS Antenna



### Overview

---

The AX3703 is a miniature, light-weight, multi-frequency GNSS antenna, which can receive GPS L1/L2, GLONASS L1/L2 and BeiDou B1/B2/B3 signals.

Its outstanding performance in dynamic scenarios and its light-weight make it particularly suitable for drones and other moving platforms. Its rugged design allows it to work well in the harshest environments.



### Key Features

---

Supports GPS L1/L2, GLONASS L1/L2 and BeiDou B1/B2/B3

---

Radome reduces the impact of temperature variations

---

Waterproof design protects antenna in harsh weather conditions

---

High gain, wide beam width, and suitable for low elevation angles

---

Multipath suppression technique improves performance in challenging environments

---

Multiple feed design stabilizes carrier phase center and minimizes the influence of measurement errors

---

Super compact design: 90mm diameter (including ground plane)

---

Rugged design, ideal for aviation and vehicle applications

---



# Technical Specifications

## Performance

Frequencies:	GPS L1/L2, GLONASS L1/L2, BeiDou B1/B2/B3
Peak Gain:	4dBi
Polarization:	RHCP
Axial Ratio:	≤3dB
Azimuth Coverage:	360°
Impedance:	50Ω
Output VSWR:	≤2.0

## LNA

LNA Gain:	36±2dB
Noise Figure:	≤2.0dB
Output VSWR:	≤2.0
Operation Voltage:	3V~12V DC
Operation Current:	≤45mA
Group Delay:	≤5ns

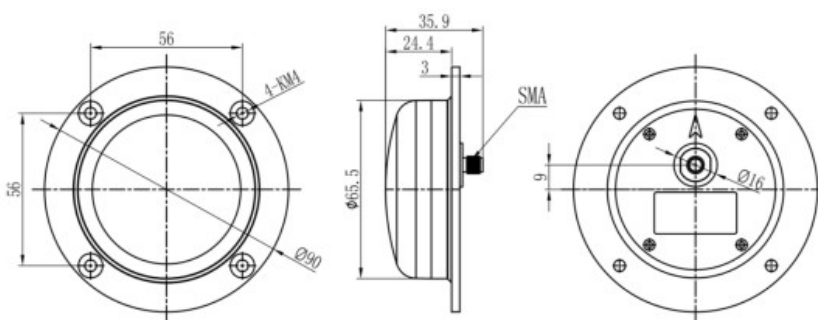
## Mechanical

Dimension:	φ 90x41.5mm
Connector:	SMA Female
Weight:	137g

## Environmental

Operating Temperature:	-40°C ~ +80°C
Storage Temperature:	-55°C ~ +85°C
Humidity:	95% not condensing
Dust- & Waterproof:	IP67

## Structure Overview



Top view

Side view

Bottom view

Dimension (mm)

Website | [www.tersus-gnss.com](http://www.tersus-gnss.com)  
 Sales Inquiry | [sales@tersus-gnss.com](mailto:sales@tersus-gnss.com)  
 Technical Support | [support@tersus-gnss.com](mailto:support@tersus-gnss.com)

